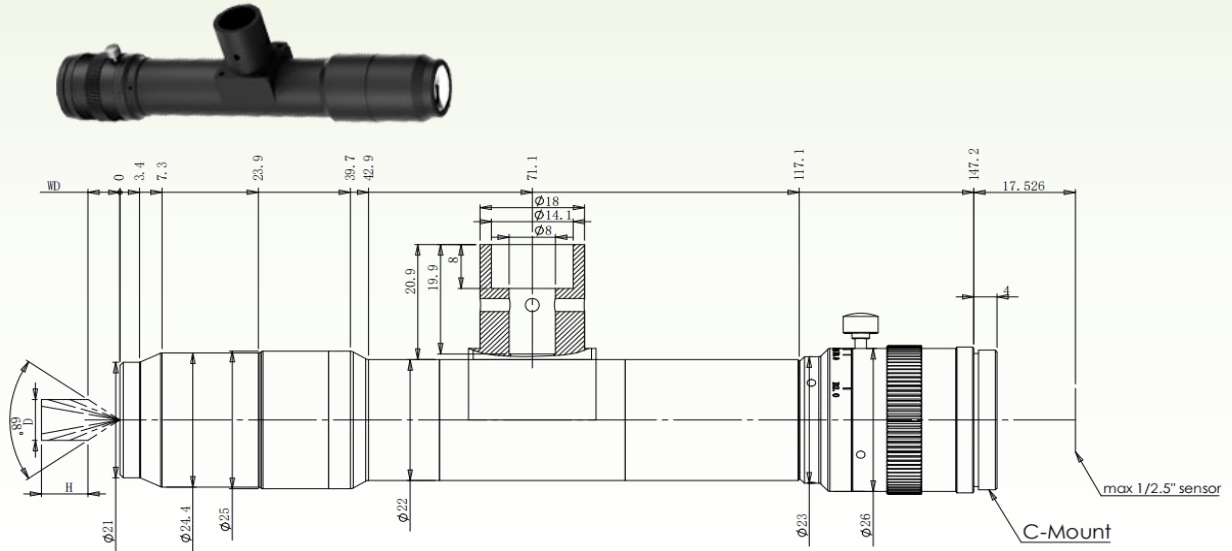


SRV085 360 Degree Inner Wall View Optics Lens

MP

1/2.5"

1. 360°inner side inspection, coaxial type for clear imaging 360 度内壁检测, 同轴光款, 更优秀
2. High resolution & compact size 紧凑型高清晰度
3. Application for tube, auto, container inside inspection. 适用于管子、汽车发动机、罐体等内壁检测



Model 型号	SRV085	
Format 靶面	1/2.5"	
Resolution 像素	Megapixel	
Image circle 场高	Φ3.6	
Dimension 外径	Φ26*147.2mm	
Mount 接口	C	
Diameter (mm) 直径	Height (mm) 高度	Working Distance (mm) 工作距
0.78	0.4	10
1	0.5	10.1
1.5	1	10.5
2	2	11
2.5	2.5	11.3
3	3	11.8
3.5	3.5	12
4	4	12.5
4.5	4.5	13
5	5	13.3