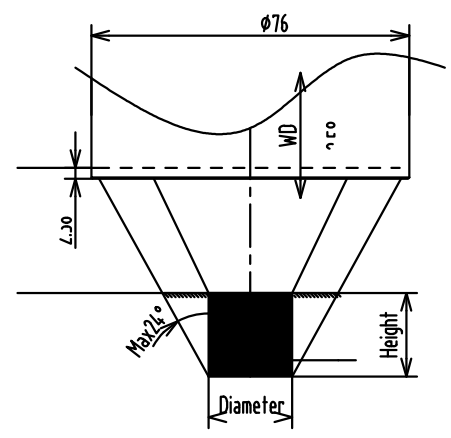


Detector Type		1/2"	
Field of view (Diam×Height)	SPEC	Diameter	Height
	Min	5	5
	Typical	20	20
	Max	40	13
Wavelength Range	450-650		
Working Distance	12-66		
F/#	8.0-22		
Mount	C-mount		

Diameter	Height	WD	F/#	Height	WD	Height	WD
5	5	66	12				
10	10	54	12	20	44	30	34
15	10	47	8.0	20	37	30	27
20	10	41	8.0	20	31	30	21
25	10	35	8.0	20	25	30	15
30	10	29	8.0	20	19	27	12
35	10	22	8.0	20	12	20	12
41	10	15	8.0	13	12	13	12



$$c (\%) = \frac{\text{Top view diameter (px)}}{\text{Detector short side (px)}} \times 100$$

TOLERANCE: . LINEARITY TOLERANCES ±0.05 . ANGULAR TOLERANCES ARE±30° . DRAFT ANGLES AREA±0.5°/SIDE		单位	比例
		MM	1:1
名称	360度环外测镜头 Outer 360 Degree Lenses	页码	
代号	SOD0541	版本	V0