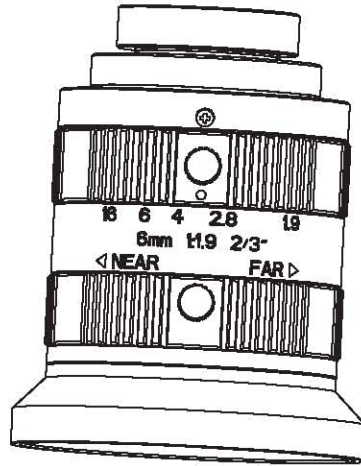
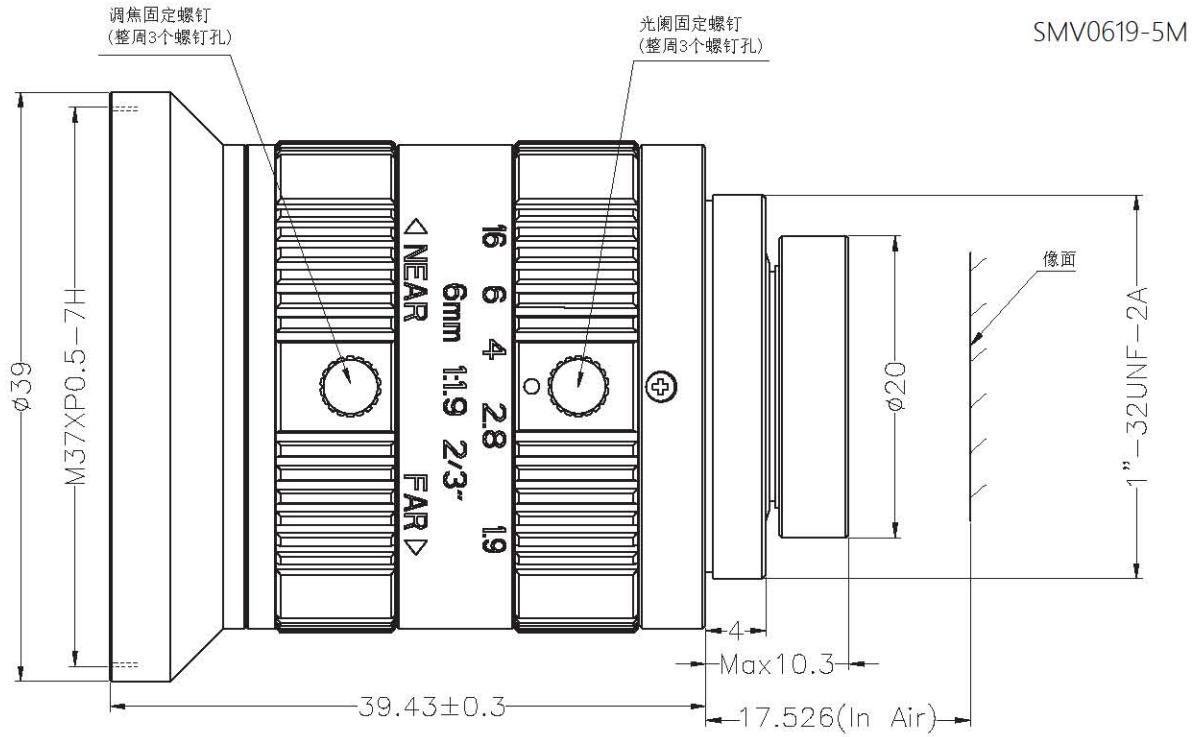


SMV0619-5M

2/3" F1.9 / 6MM /5MEGA / C MOUNT				
FOCAL LENGTH		f=6mm		
F.NO		F=1.9---16		
FOCUS DISTANCE		0.1M---Infinity		
FLANGE BACK		17.526MM IN AIR		
BACK FOCUS		8.15~8.63MM IN AIR		
FILTER SCREW SIZE		M37*P0.5		
MOUNT		C		
REL.ILLUMINATION		Fno 1.9(y=5.5mm)40% Fno 4.0 (y=5.5mm)89%		
CHIEF RAY ANGLE		<11.65°		
FIELD OF VIEW	SENSOR	2/3"		
	D	87.2°		
	H	71.5		
	V	61.4°		
TV DISTORTION		-1.77%		
WORKING DISTANCE	OPTICAL MAGNIFICATION	2/3" FIELD OF VIEW		
		MM	D	H
1000	-0.006	1922.1	1331.1	1068.8
900	-0.007	1732.8	1199.8	963.4
800	-0.008	1543.4	1068.6	858.0
700	-0.009	1353.8	937.3	752.6
600	-0.010	1164.1	805.9	647.1
500	-0.012	974.2	674.4	541.5
450	-0.013	879.4	608.7	488.7
400	-0.015	784.5	543.0	436.0
350	-0.017	689.5	477.2	383.2
300	-0.020	594.7	411.6	330.4
250	-0.024	500.0	345.9	277.7
200	-0.029	405.3	280.3	225.0
150	-0.039	310.5	214.7	172.3
100	-0.056	215.5	148.9	119.5



				项目	值	机种名称		SMV0619-5M	
				Model	Value	Model Name			
				Angle	±0.5°	材料		MATERIAL	
00		2021.03.17		初版发行	张 镜	品名		FA LENS	
REV.NO.		DATE		变更内容	REVISION	图号		PART. NO.	
						~		SPEC.91A	
审核		工艺		校对		设计		投影法	
Approved BY		Process BY		Check BY		Deaing BY		PRJ.Method	
						2021.03.17		单位	
						初版日期		mm	
						NEW ISSUE DATE		版次	
						2021.03.17		REV. NO.	
						2021.03.17		00	