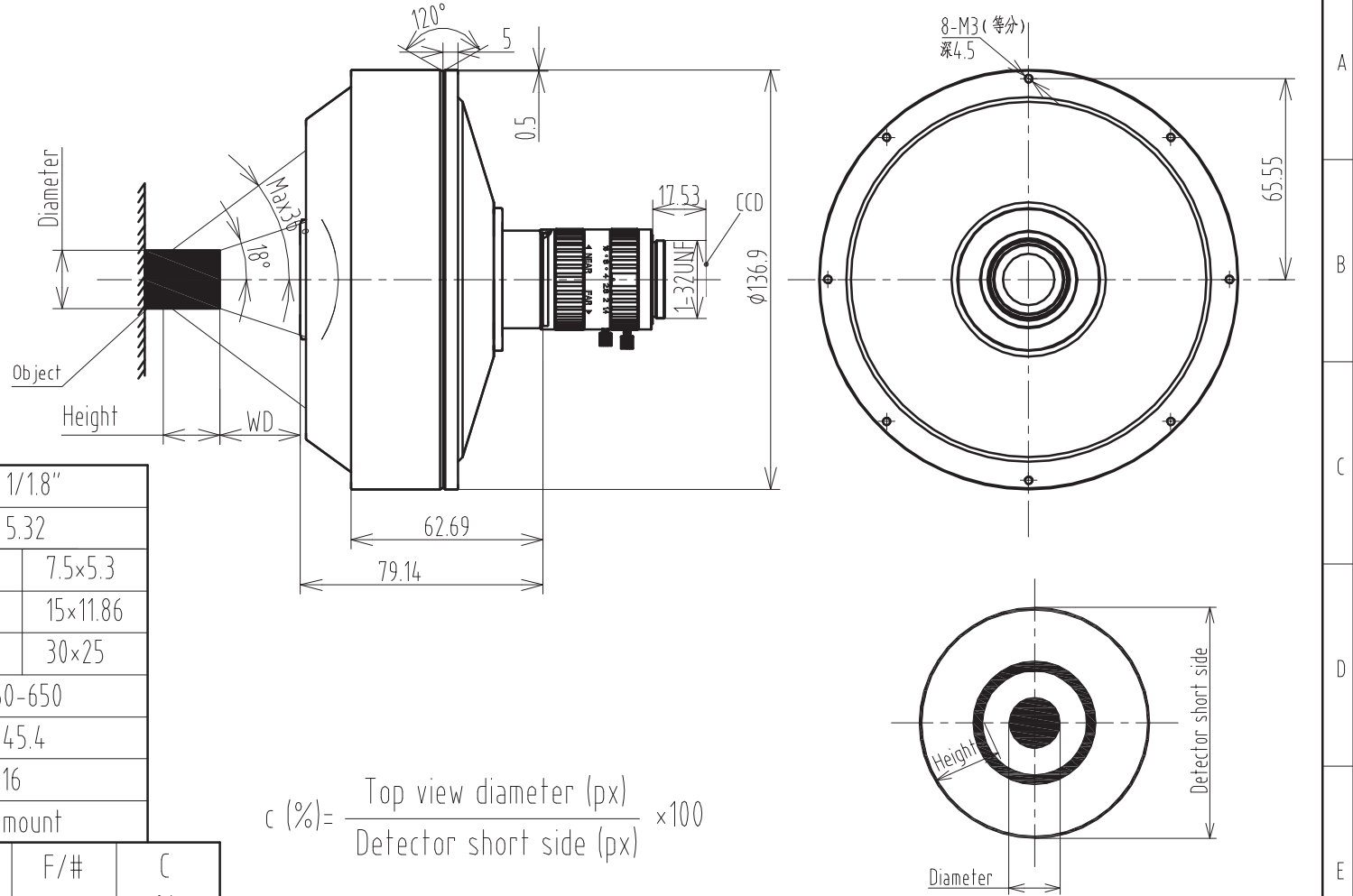


SOD3604

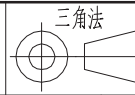


Detector Type	1/1.8"		
Image Circle	5.32		
Field of view (Diam×Height)	Min	7.5×5.3	
	Typical	15×11.86	
	Max	30×25	
Wavelength Range	450-650		
Working Distance	9-45.4		
F/#	8-16		
Mount	C-mount		

$$c (\%) = \frac{\text{Top view diameter (px)}}{\text{Detector short side (px)}} \times 100$$

Diameter mm	Height mm	WD mm	F/#	C %
7.5	5.3	45.4	16	12
10	7.7	41.5	16	17
15	11.86	33.8	12	27
20	16.5	26.2	12	37
25	20.7	18.5	10	51
30	25	9	8	62

TOLERANCE :  
LINEARITY TOLERANCES ±0.05  
ANGULAR TOLERANCES ARE ±30'  
DRAFT ANGLES AREA ±0.5°/SIDE



材料(环保)

单位 比例  
mm 1.5:1

F	设计		名称	规格书	页码				
	校对					代号	SOD3604	版本	
	审核								V0
	批准								
	标记	处数							